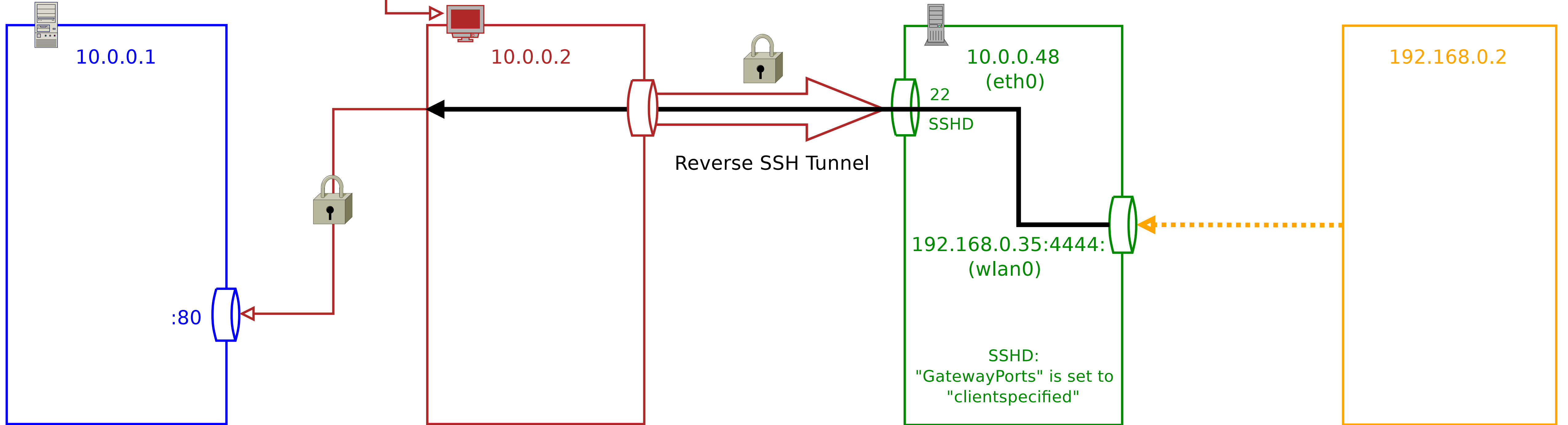


Reverse SSH Tunnel Use Case

```
ssh -p 22 -R "192.168.0.35:4444:10.0.0.1:80" user@10.0.0.48
```



```
python3 -m http.server 80  
Serving HTTP on 0.0.0.0 port 80  
(http://0.0.0.0:80/) ...
```

```
curl 192.168.0.35:4444
```